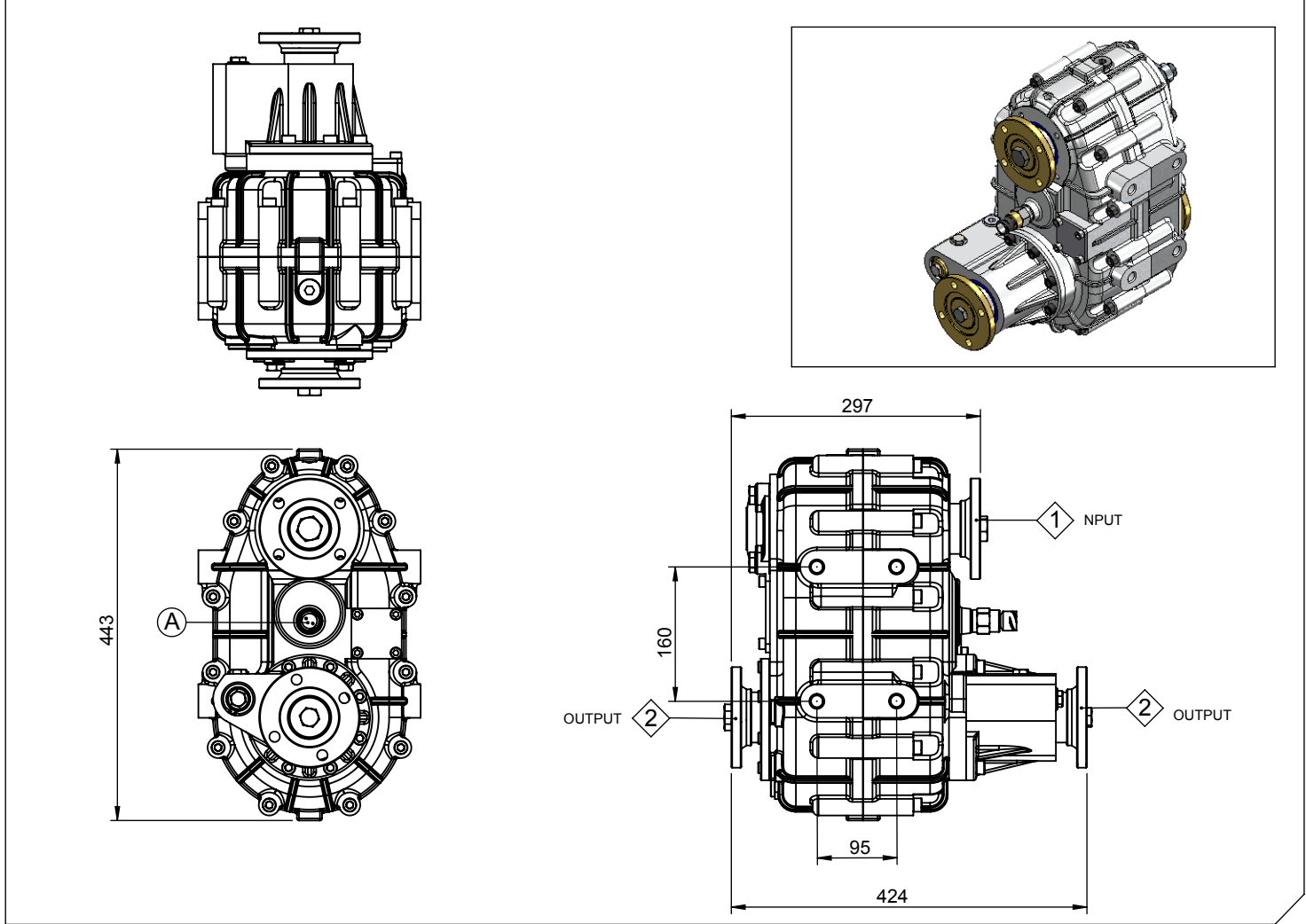


Vehicle Type	3.5-5 TON LIGHT 4X4 VEHICLE
Gearbox Type	4X4 DIFFERENTIAL ONE CYCLE SPLIT SHAFT

Product Code	UARA.303
---------------------	-----------------



Products Views



Component Details

<p>1 : Second Output 2 : Main Output A : Electric Switch (Rpm Counter)</p>	
--	--

Technical Details

Outputs	Max. Power	Max. Torque		Input/Output	Mounting Type	Control Type
	kW	Nm	kgm			
1	178	1700	175	1/1	Split Shaft	Pneumatic
2	178	1700	175	1/0.735		Weight
3					64 kg	CCW (Counter-Clockwise)