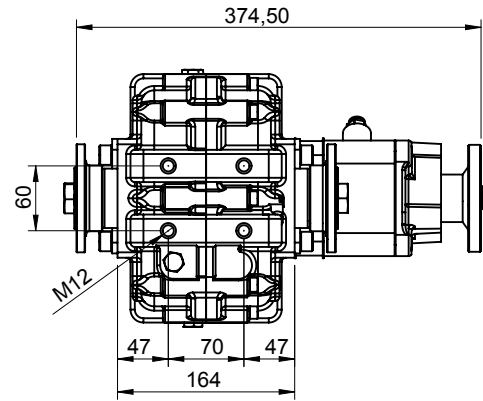
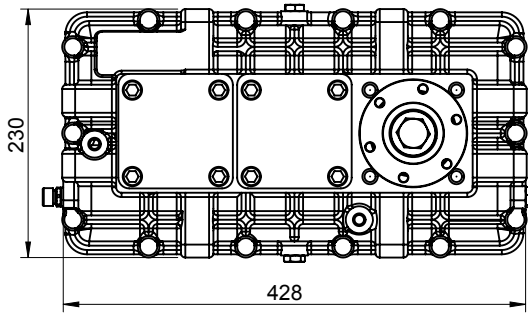
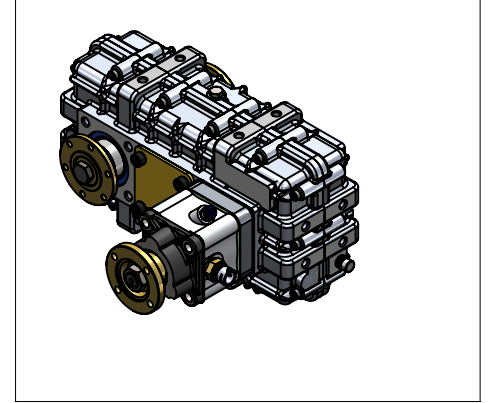
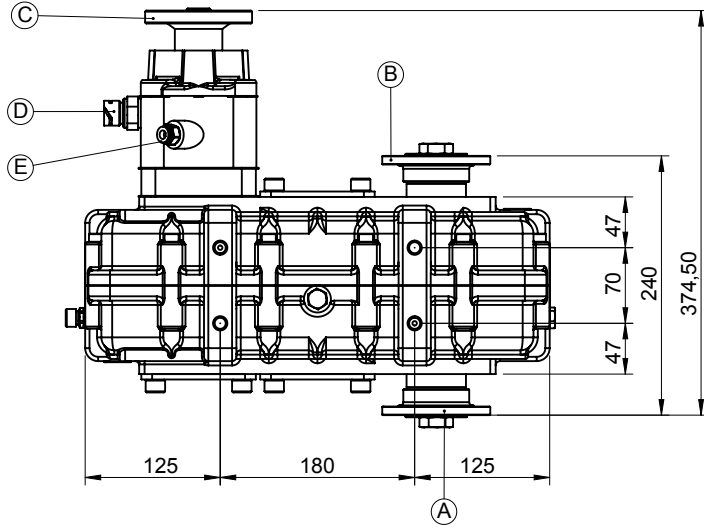


<b>Application Type</b>	Horizontal or Vertical Usage
<b>Gearbox Type</b>	3 Axis RPM Increaser or Decreaser

<b>Product Code</b>	<b>KRD.28.ISO</b>
<b>Revision No- Date</b>	<b>01 / 03.10.2016</b>



### Products Views



### Component Details

- A : Input Flange
- B : Output Flange
- C : Output Flange
- D : Sensor (Optional)
- E : Air Input - Engagement/Disengagement

### Technical Details

Outputs	Max. Power	Max. Torque		Input/Output	Mounting Type	Control Type
	<i>kW</i>	<i>Nm</i>	<i>kgm</i>			
<b>A</b>	150	1421	145	1/1	Split Shaft	Pneumatic
<b>B</b>						
<b>C</b>	41	393	40	1/0,79 1/1,51 1/0,89 1/1,61 1/0,94 1/1,69 1/1,26 1/2,02 1/1,33	36 kg	Sense of Rotation Same as Input