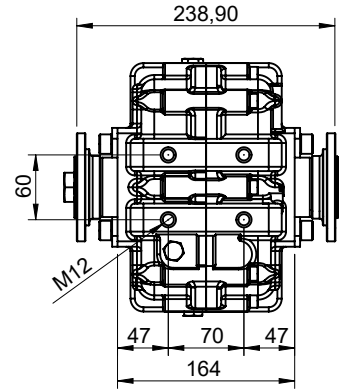
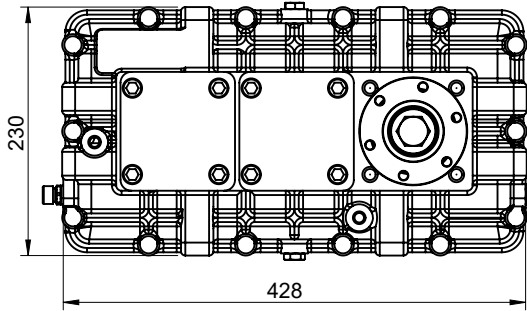
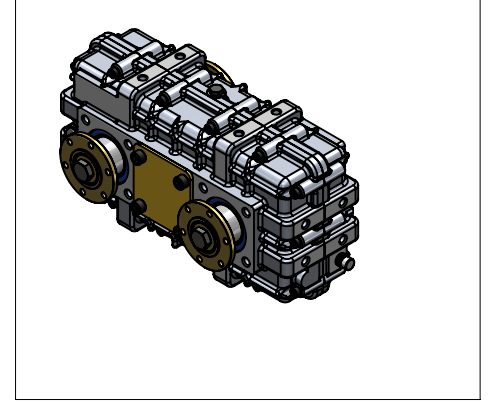
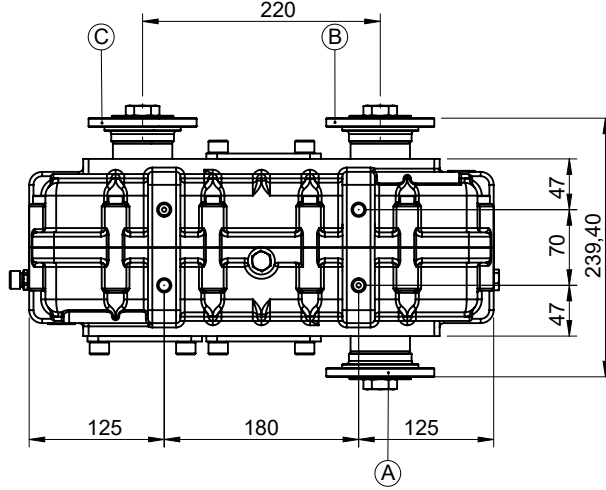


<b>Application Type</b>	Horizontal or Vertical Usage
<b>Gearbox Type</b>	3 Axis RPM Increaser/Decreaser

<b>Product Code</b>	<b>KRD.28</b>
<b>Revision No- Date</b>	<b>04 / 19.07.2018</b>



### Products Views



### Component Details

A : Input Flange (ISO 7647 - ISO 7646 - Standard Flange)  
 B : Output Flange (ISO 7647 - ISO 7646 - Standard Flange)  
 C : Output Flange (ISO 7647 - ISO 7646 - Standard Flange)

### Technical Details

Outputs	Max. Power	Max. Torque		Input/Output	Mounting Type	Sense of Rotation
	kW	Nm	kgm			
A		1422	145		Split Shaft	Same as Input
B	150	1422	145	1/1		
C	150	1422	145	1/0,79 1/1,51 1/0,89 1/1,61 1/0,94 1/1,69 1/1,26 1/2,02 1/1,33 1/2,42	Weight	
					36 kg	



**Ofis / Office**  
 Tel. +90 312 354 05 39  
 Fax +90 312 354 34 59  
 7. Sokak No: 9  
 Ostim / ANKARA  
 e-mail: [info@kozmaksan.com.tr](mailto:info@kozmaksan.com.tr)

**Fabrika / Factory**  
 Tel. +90 312 267 39 71  
 Fax +90 312 267 38 72  
 AOS. 1. OSB. Erkunt Cad. No: 6  
 Sincan / ANKARA  
 Website: [www.kozmaksan.com.tr](http://www.kozmaksan.com.tr)