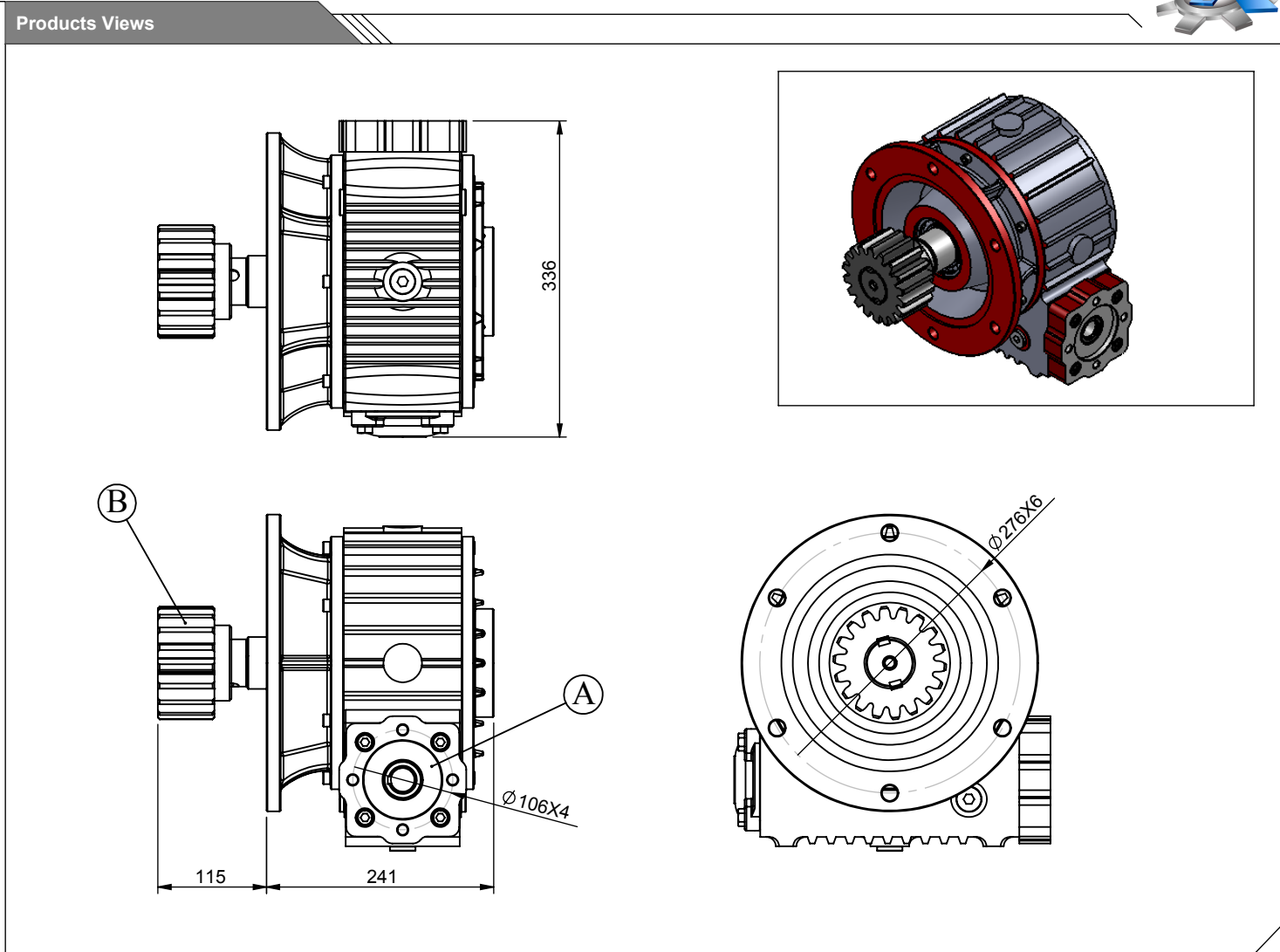


Application Type	Universal	Product Code	KRD.06
Gearbox Type	Worm Gear Mechanism		



Component Details

A : Reduktor Input (Optional) B : Reduktor Output (Optional)

Technical Details

Power	Maximum Torque		Input/Output	Mounting Type	Sense of Rotation
	Nm	Kgm			
kW				Split Shaft	
50	477	48	50/1	Weight	CW-CCW
				43 kg	