

VEHICLE TYPE

HD 120 HYUNDAI HD72 / HD 78 / HD 65 / HD 160

TRANSMISSION TYPE

KH10 (6,967)

Kozmaksan Hyundai Power Take OFFs designed for Hyundai series main transmissions. Kozmaksan HYD PTOs has Single output model, Side Mounting type option and available for UNI&ISO mounting housing or suitable for flange connections.

Applications;

- Garbage Truck
- Crane Truck
- Dump Truck

Vehicle Type

HYUNDAI

PNEUMATIC

SIDE MOUNTING

Transmission Type

KH10 (6,967)

HYD.03.120.H

Product Code

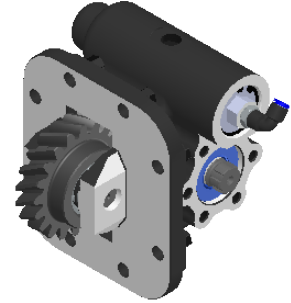
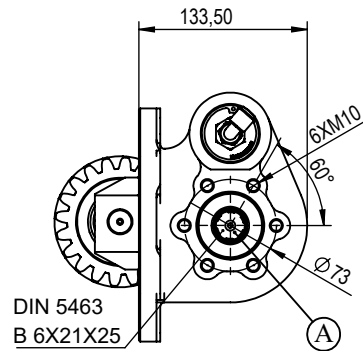
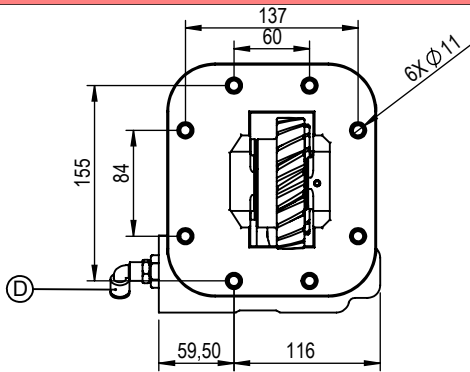
02

14/02/2019

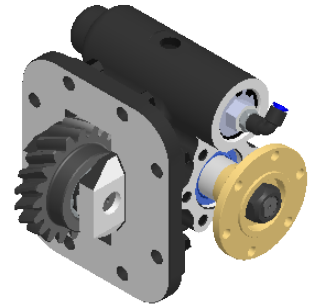
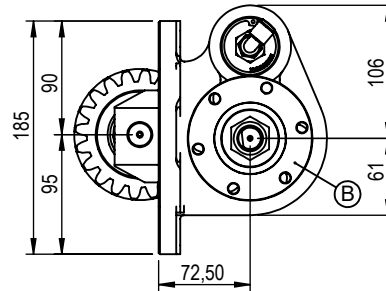
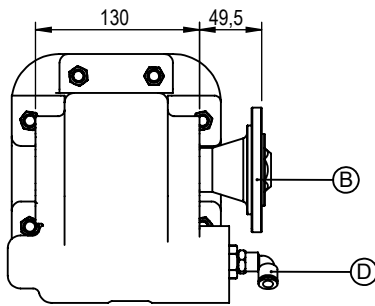
02

Rev. Date

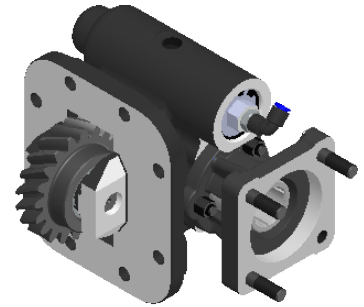
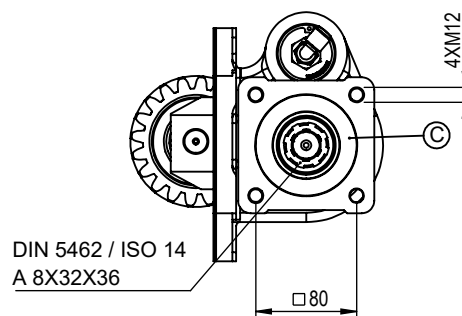
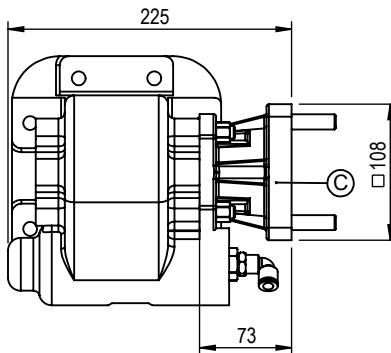
UNI OUTPUT



FLANGE OUTPUT



ISO OUTPUT



A DIN 5463 6X21X25 UNI 3 Bolts Output

B ISO 7647-7646 Standard Flange Output

C ISO 14 - DIN 5462 8X32X36 Output

D Air Inlet R 1/8"

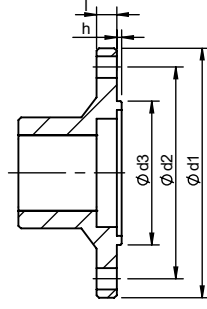
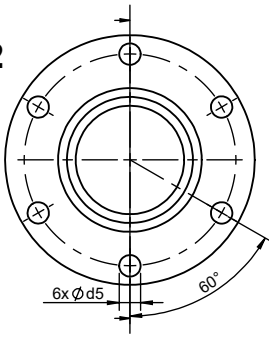
	UNI Output	FLANGE Output	ISO Output
Power(kW)@1000 RPM	23	36,7	23
Max. Torque (Nm)	220	350	220
Weight (Kg)	13	14	15
Ratio	1/1.17		
Mounting Type	Left Side Mounting		
Sense of Rotation	CW		

- Kozmaksan has all rights to change information in this catalogue without announcing it. This document is representing general information. It is not a contract.
 - All information belongs to only PTO/Split Shaft. Do not use PTO/Split Shaft, if it is not suitable for your engine and main transmission.
 - Pumps, shafts and other parts should not be longer or heavier than approved distance and weight by the manufacturer of main transmission and engine.

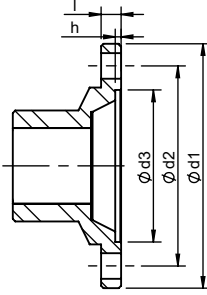
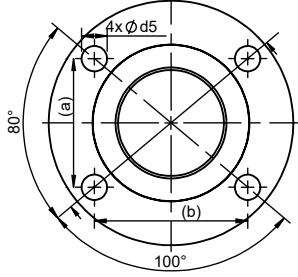
KozmaksanPTO

kozmaksanpto

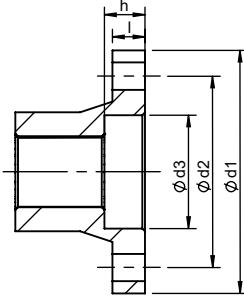
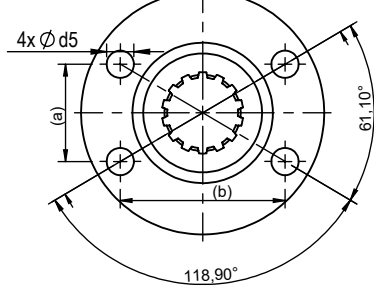
kozmaksan-hydraulics-pt

1.1
1.2


1.3



1.4

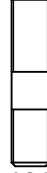


	$\varnothing d1$	$\varnothing d2$	$\varnothing d3$	$\varnothing d5$	l	h	P [°]	(a) x (b)
1.1	100	84	57	8,1	8	2,3	6	-
1.2	90	74,5	47	8,1	8	2,3	6	-
1.3	97	79,37	60,32	10,1	8	2,3	4	51 x 60,8
1.4	90	70,83	42	10,1	12	9	4	36 x 61

All dimensions are mm.

(PTO Mounting Parts)

5



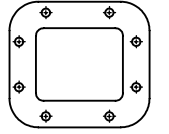
6] & .

6



6] & .

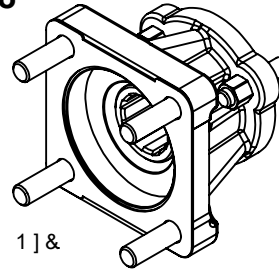
7



1] &

ISO Adapter

8



1] &

UNI Pump Mounting Parts

5



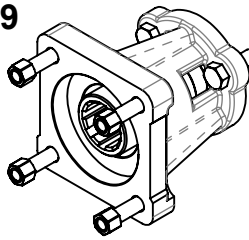
3] & .

6



3] & .

9



No	Code	Description	No	Code	Description
1.1	C06-083-2	ISO 7646-100x6x8	9	AKP.PP.1	GC'5 8 5 DH9 F
1.2	C06-083-3	ISO 7646-90x6x8			
1.3	C06-083-1	ISO 7647-SAE 1300x4x10			
1.4	C06-185	Ø90 : B; 9			
5	T07-004	M10x1,5x45 mm SHI 8			
6	T08-001	M10x1,5 BI H			
7	T04-068	; 5 G?9H			
8	AKP.PP.2.52	GC'5 8 5 DH9 F			

- Kozmaksan has all rights to change information in this catalogue without announcing it. This document is representing general information. It is not a contract.
- All information belongs to only PTO/Split Shaft. Do not use PTO/Split Shaft, if it is not suitable for your engine and main transmission.
- Pumps, shafts and other parts should not be longer or heavier than approved distance and weight by the manufacturer of main transmission and engine.

KozmaksanPTO



kozmaksanpto



kozmaksan-hydraulics-pt

