

Vehicle Type

MACK, KENWORTH, PETERBILT, WESTERN STAR, FREIGHTLINER

Transmission Type

RTLO - 12913A - 14913A - 14918B - 16913A - 16918B -
18913A - 18918B - 20913A - 20918B - 22918B /
RTLOC-16909A-T2 - 18909A-T2 /
RTOC-16909A - 18909A / RTOCM-16909A

Side Housing Options;

SAE -B 2 or 4 hole, SAE B-B 2 or 4 hole Pump Housing

Control Type;

Pneumatic

Application;

Garbage Truck
Crane Truck
Dump Truck

KozmaksanPTO



kozmaksanpto



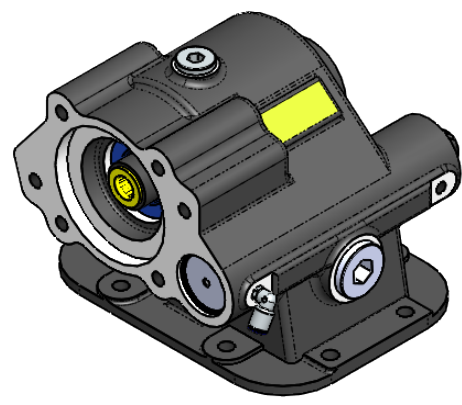
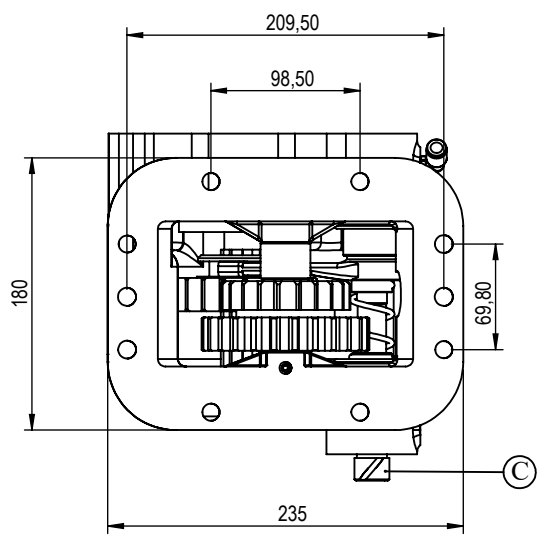
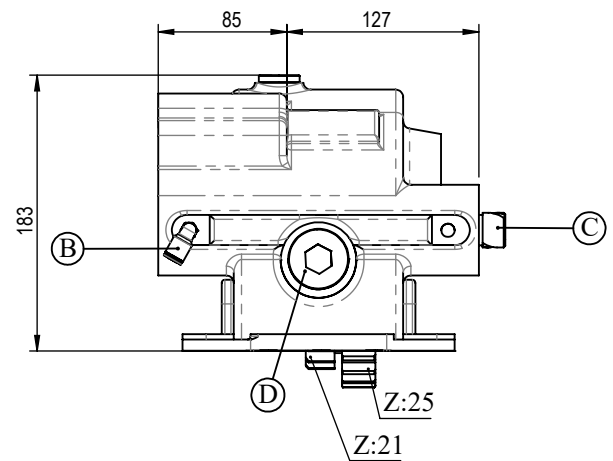
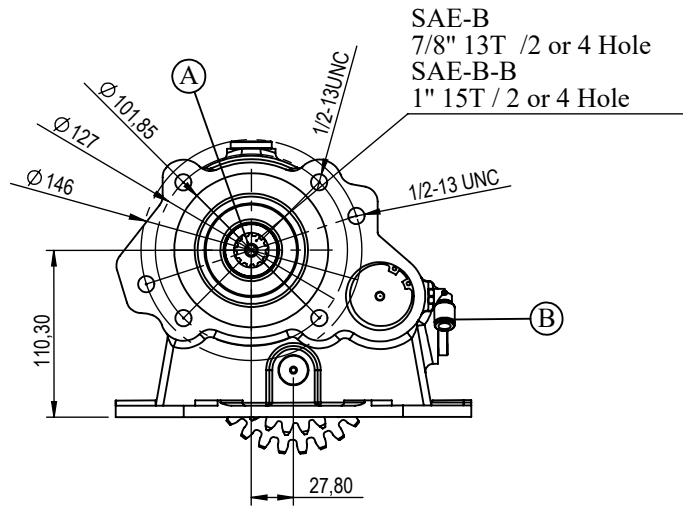
kozmaksan-hydraulics-pt0



Vehicle Type	FULLER	Pneumatic Control	Right Connection
Transmission Type	RTLO18918B		

FUL.09.RTLO18918B		Product Code
01	14.01.2019	02
		Rev.No-Date -Page No

SAE B /SAE B-B Output

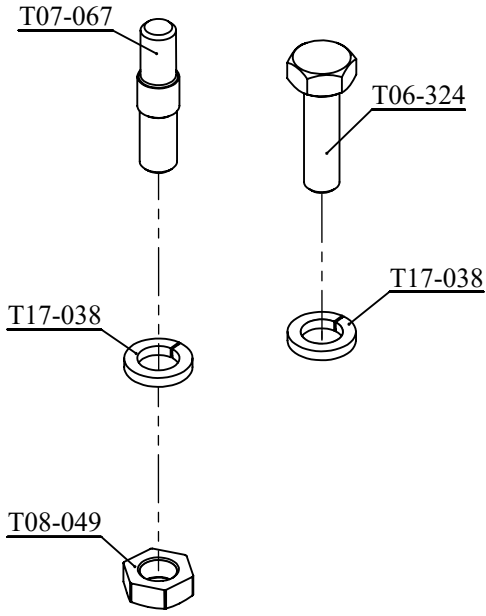


Product Code	Output	Spline	Pump Housing
FUL.09.RTLO18918B.SAEB	SAE B	7/8" 13T	2 or 4 Hole
FUL.09.RTLO18918B.SAEB-B	SAE B-B	1" 15T	2 or 4 Hole

A	SAE B 7/8" 13T 2 or 4 Hole Housing SAE B-B 1"15T 2 or 4 Hole Housing
B	Air Inlet R 1/8"
C	Engage-Disengage Sensor
D	Backlash Control Plug

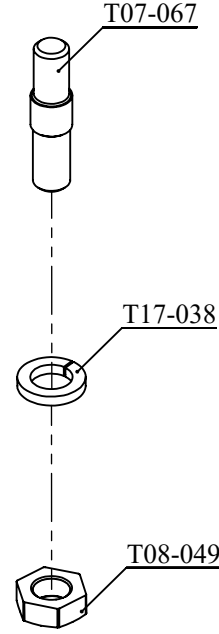
	SAE-B Output		
Power @1000r/m(kW)	33		
Max Torque (Nm)	312		
Weight (Kg)	17		
Internal Ratio	1/0,91 - 1/0,84		
Mouting Side	Underside		
Sense of Rotation	Opposite of Engine Shaft		

Connection Parts 1

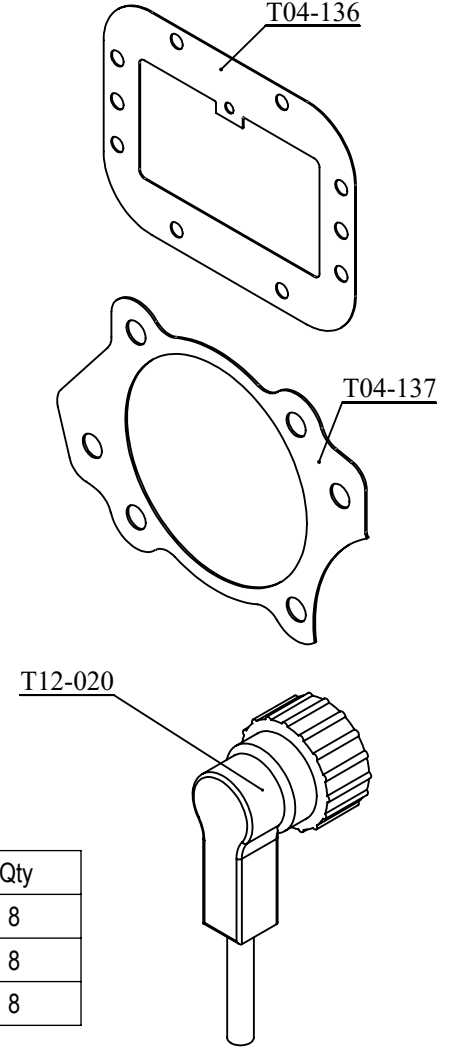


No	Code	Qty
1	T07-067	2
2	T17-038	8
3	T08-049	2
4	T06-324	6

Connection Parts 2



No	Code	Qty
1	T07-067	8
2	T17-038	8
3	T08-049	8



No	Code	Description	No		
1	T07-067	7/16' UNC 7/16' UNF Studs	9		
2	T17-038	7/16 Spring Washer	10		
3	T08-049	7/16' UNF (20T) Nut	11		
4	T06-324	7/16X34 UNC Bolt	12		
5	T04-136	Gasket 2x0,5mm	13		
6	T04-136	Gasket 1x0,2mm	14		
7	T04-137	SAE B Pump Gasket	15		
8	T12-020	Connector and Wire (2 Pin)	16		