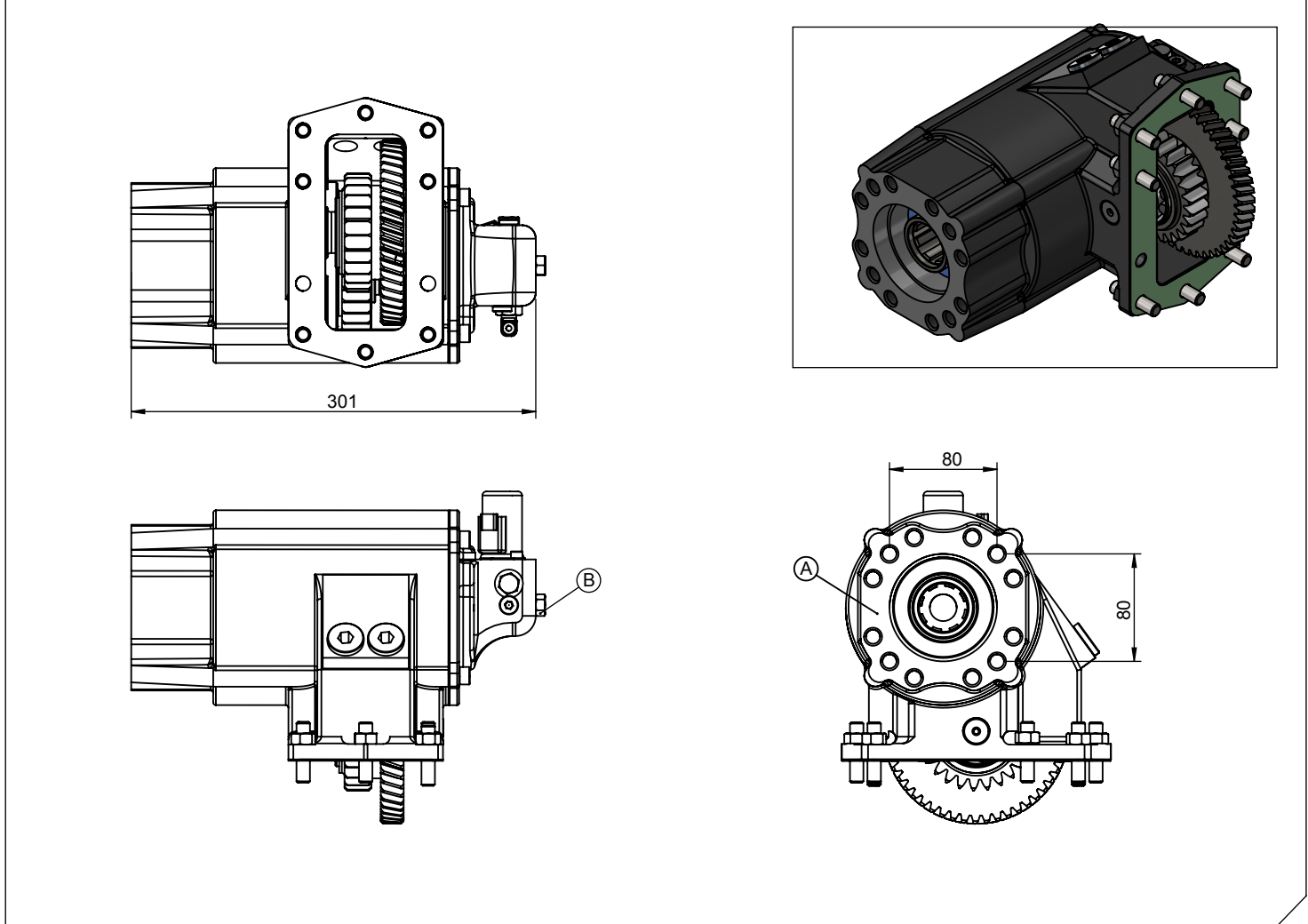


<b>Vehicle Type</b>	ISUZU / KENWORTH / PETERBILT / MITSUBISHI / DETROIT DIESEL ZETROS MERCEDES / 180E28 IVECO
<b>Gearbox Type</b>	MD 3000 / 3060 / 3070 / 3560 / 3066 / 3566 / HD 4060 / 4070 / 4076 / 4560

<b>Product Code</b>	<b>ALS.18.3060.ISO</b>
---------------------	------------------------



### Products Views



### Component Details

A : PTO Output (Standart DIN 5462 8x32x36 ISO 4 Bolt)

B : Oil Inlet

Optional ; Uni 3 Bolt DIN 5463 6X21X25  
Mtg Adapter Drive Flange

### Technical Details

Power	Maximum Torque		Input/Output	Mounting Side	Control Type
	kW	Nm			
41	392	40	1/1.4	Left-Right	Oil Pressure
				<b>Weight</b>	<b>Sense of Rotation</b>
				25 kg	Opposite of Input